



Type 2 Surge Protection Wiring Kit

Brief product description:

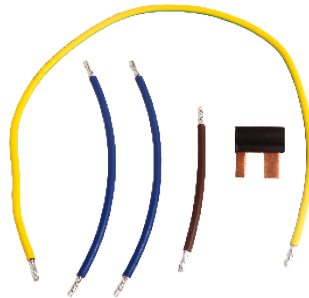
This Type 2 Surge Protection Wiring Kit provides superior protection against Transient overvoltages by diverting the surge to earth within <25ns, and protecting all loads/circuits connected to the consumer unit.

The kit comes complete with Live, Neutral & Earth wires, Busbar & shroud 1 x SPD 1 x 32A MCB

Features:

- Type 2 Single Phase Surge Device + 32A B Curve MCB
- Complete kit for easy installation
- Fully compliant to BSEN61643-11, BSEN62305 & BS7671
- Suitable for domestic/commercial installations
- Space saving 1 module design
- Minimum back-up MCB 32A B curve
- Can be fitted on DIN rail directly into the consumer unit
- Grey colour to match existing circuit protection devices
- IP20 protection degree
- Response time < 25ns

Product Images



Technical Specifications CUSPDT21

Standard(s)	IEC61643-1 EN61643 Type 2
Maximum continuous operating voltage UCV	275v
Voltage protection level (up)3kA (8/20μs) kA	<1.5kV
Nominal discharge current (in) (8/20μs) kA	L-N 5kA N-PE 20kA
Response Time	<25ns
Degree of Protection	IP20
Recommended back up MCB/fuse	32A
Terminal Capacity	1.5 - 6mm
Visual Indication of Status	Black: OK Red: Replace Device
DIN Rail Mountable	Yes
Terminal Torque	L/N 1.2Nm and PE 3Nm

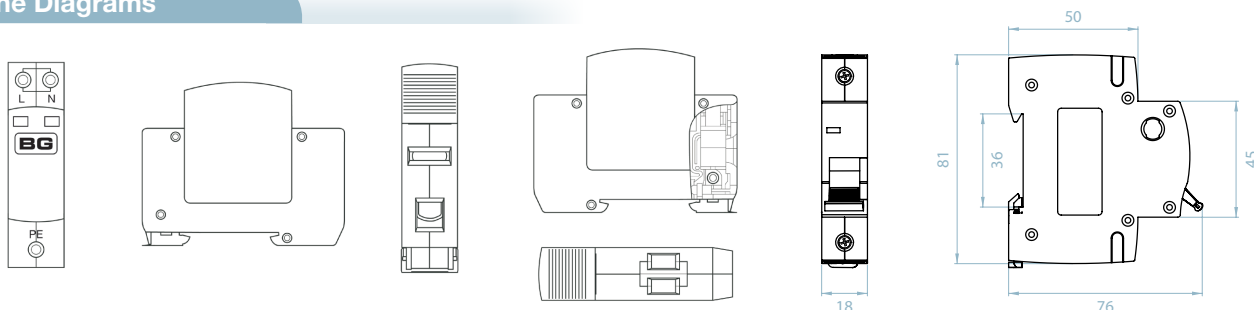
Type 2 Surge Protection Wiring Kit

Technical Specifications

CUMB32

Standard(s)	EN/IEC 60898
Rating	32A
Breaking Capacity	6000A
Rated Voltage	230V a.c. 50Hz
Rated Insulated Voltage	500V
Rated Impulse Withstand V	Uimp 6000V
Energy Limiting Class	3
Ambient Temperature	-5oC to +40 oC
Operating Characteristics	Type B - Magnetic Operating 3 to 5 times In (current rating)
No. of Poles	1P
Trip	Thermal/Magnetic release
IP Rating	IP20
Terminal Capacity	32-50A - 25mm ²
Terminal Torque	2NM
Installation	Mounting on 35mm DIN rail
Size	17.5mm width
Endurance Operations	Electrical 4,000, Mechanical 10,000

Line Diagrams



Packaging Information

Cat No.	Description	Packaging Type			Pack Quantity			Barcode	
		Product	Inner Box	Outer Box	Each	Inner Box	Outer Box	Product	Outer Box
CUSPDT21	Type 2 Surge protection device wiring kit	Bag	/	/	1	/	/	5050765024754	/

Weights & Dimensions

Cat No.	Description	Dimensions (L x W x D) cm			Weight (kg)		
		Product	Inner Box	Outer Box	Each	Inner Box	Outer Box
CUA08	Type 2 Surge protection device wiring kit	17.5 x 13.1 x 4.1	/	/	0.325	/	/

Installation Information

To fit device onto DIN rail, fit top of device onto rail first and then push down bottom of device until retaining device clip 'clicks' and locks onto DIN rail.

When fitting please ensure Main Switch is butted firmly against 'pip' on far right hand side of the DIN rail.

To remove device, pull out retaining device clip from bottom of SPD (using flat screwdriver) and remove by lifting bottom part of Switch first.

Technical Helpline: 03300 249 279

If in doubt consult a competent electrician.