



# Technical Data

## RCD Incomer Consumer Units - Unpopulated

### Description:

This range of all metal consumer units offer a flexible solution for the 17th Edition Wiring Regulation Amendment 3.

Available in a number of sizes from 6 way to 20 way, these consumer units will suit all applications. Each unit has an integrated spirit level, aiding installing without additional tools.

An 80A RCD is included in each unit as the incomer, along busbar, label sheet, 2 cover blanks and instructions. The rest of the unit is unpopulated.

MCBs, RCDs and control devices can be fitted into the consumer units.

Lockable covers available in the range, please contact BG for more information.

### Product Images



### Product Options

| Cat No.   | Description              | Modules | RCD | Max Number of Ways | Max Total |
|-----------|--------------------------|---------|-----|--------------------|-----------|
| CFRSW806* | 6 way with 80A 30mA RCD  | 8       | 6   | 6                  | 6         |
| CFRSW810* | 10 way with 80A 30mA RCD | 12      | 10  | 10                 | 10        |
| CFRSW814  | 14 way with 80A 30mA RCD | 16      | 14  | 14                 | 14        |
| CFRSW817  | 17 way with 80A 30mA RCD | 19      | 17  | 17                 | 17        |
| CFRSW820  | 20 way with 80A 30mA RCD | 22      | 20  | 20                 | 20        |

Note: \* denotes a taller consumer unit design

### Technical Specifications

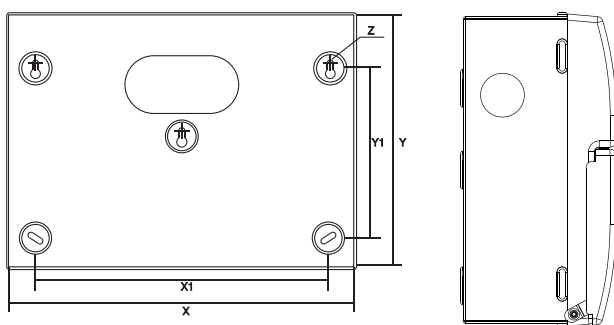
|                         |   |
|-------------------------|---|
| Standard (s)            | All metal consumer units comply with 17th Edition Wiring Regulations BS 7671 Amendment 3<br>Consumer Unit: BS EN 61439-3<br>RCD: EN / IEC 61008 |
| Max Current Rating      | 80A   |
| Operating Voltage       | 230V AC 50Hz  |
| Short Current Withstand | 16kA rms  |
| IP Rating               | IP2XC   |
| Installation            | Indoor  |
| Material                | Steel   |
| Finish                  | White gloss (matches BG white accessories)  |
| UV Stability            | Yes   |
| Cover Blanks            | Each unit supplied with 2x cover blanks   |
| RCD Terminal            | 35mm <sup>2</sup> capacity  |
| RCD Torque              | 63A: 3.5Nm<br>80A: 2.5Nm  |

# RCD Incomer Consumer Units - Unpopulated

## Knockouts

| Product   | Top & Bottom Face                                   | Sides                  | Base  |
|-----------|---|------------------------|---|
| 8 Module  | 6 x $\varnothing 20$ mm<br>1 x $\varnothing 32$ mm  | 1x $\varnothing 32$ mm | 1 x $\varnothing 50$ x 100mm                            |
| 12 Module | 8 x $\varnothing 20$ mm<br>1 x $\varnothing 32$ mm  | 1x $\varnothing 32$ mm | 1 x $\varnothing 50$ x 100mm                            |
| 16 Module | 9 x $\varnothing 20$ mm<br>2 x $\varnothing 32$ mm  | 1x $\varnothing 32$ mm | 2 x $\varnothing 50$ mm<br>1 x $\varnothing 50$ x 100mm |
| 19 Module | 11 x $\varnothing 20$ mm<br>2 x $\varnothing 32$ mm | 1x $\varnothing 32$ mm | 2 x $\varnothing 50$ mm<br>1 x $\varnothing 50$ x 100mm |
| 22 Module | 13 x $\varnothing 20$ mm<br>2 x $\varnothing 32$ mm | 1x $\varnothing 32$ mm | 3 x $\varnothing 50$ x 100mm                            |

## Line Diagrams



## Consumer Unit Sizes

| Cat No.  | Dimensions (mm) |     |       | Fixing Centres (mm) |     |                   |
|----------|-----------------|-----|-------|---------------------|-----|-------------------|
|          | X               | Y   | Depth | X1                  | Y1  | Z                 |
| CFRSW806 | 243             | 261 | 115   | 186                 | 180 | $\varnothing 5.5$ |
| CFRSW810 | 315             | 261 | 115   | 258                 | 180 | $\varnothing 5.5$ |
| CFRSW814 | 389             | 231 | 115   | 330                 | 180 | $\varnothing 5.5$ |
| CFRSW817 | 443             | 231 | 115   | 384                 | 180 | $\varnothing 5.5$ |
| CFRSW820 | 497             | 231 | 115   | 438                 | 180 | $\varnothing 5.5$ |

## Packaging Information

| Cat No.  | Description | Packaging Type |           |           | Pack Quantity |           |           | Barcode       |           |           |
|----------|-------------|----------------|-----------|-----------|---------------|-----------|-----------|---------------|-----------|-----------|
|          |             | Product        | Inner Box | Outer Box | Each          | Inner Box | Outer Box | Individual    | Inner Box | Outer Box |
| CFRSW806 | 6 way       | Box            | -         | -         | 1             | -         | -         | 5050765119887 | -         | -         |
| CFRSW810 | 10 way      | Box            | -         | -         | 1             | -         | -         | 5050765119948 | -         | -         |
| CFRSW814 | 14 way      | Box            | -         | -         | 1             | -         | -         | 5050765119993 | -         | -         |
| CFRSW817 | 17 way      | Box            | -         | -         | 1             | -         | -         | 5050765120067 | -         | -         |
| CFRSW820 | 20 way      | Box            | -         | -         | 1             | -         | -         | 5050765120111 | -         | -         |

## Weights & Dimensions

| Cat No.  | Description | Dimension (W x L x H) cm |           |           | Weight (kg) |           |           | CMB (m <sup>3</sup> ) |
|----------|-------------|--------------------------|-----------|-----------|-------------|-----------|-----------|-----------------------|
|          |             | Product                  | Inner Box | Outer Box | Each        | Inner Box | Outer Box | Outer Box             |
| CFRSW806 | 6 way       | 24.3 x 26.1 x 11.5       | -         | -         | 2.91        | -         | -         | -                     |
| CFRSW810 | 10 way      | 31.5 x 26.1 x 11.5       | -         | -         | 2.53        | -         | -         | -                     |
| CFRSW814 | 14 way      | 38.9 x 23.1 x 11.5       | -         | -         | 3.91        | -         | -         | -                     |
| CFRSW817 | 17 way      | 44.3 x 23.1 x 11.5       | -         | -         | 4.25        | -         | -         | -                     |
| CFRSW820 | 20 way      | 49.7 x 23.1 x 11.5       | -         | -         | 4.81        | -         | -         | -                     |