



Technical Data

Three Compartment Trunking

Brief product description:

Three compartment trunking system is used within commercial or SOHO applications, to distribute power and data cabling around a building or office. The compartments are segregated to enable power cables to be separated from data cables. The centre compartment lid can be cut to enable a socket box to be fitted for power, data and satellite accessories.

Two trunking systems are available; Dado, with chamfered top and bottom lids, Skirting, with a square edged lower lid and chamfered upper lid, fitted at floor level.

Features:

- 3 compartments for segregation of dissimilar services
- Cat 5e compliant
- Colour matched to BG white wiring accessories
- Soft angled profile
- 160 x 50mm size, supplied in 3m lengths
- Integrated cable retainer in lower compartment
- Dado trunking pack includes base and three lids, Skirting trunking supplied as separate Base, Centre Lid, Square and Chamfered lid
- Horizontal or vertical mounting
- Easy assembly of system
- Non-flame propagating and self extinguishing material
- Lids supplied with protective blue film
- 1 gang mounting boxes has four fixing lugs, that permit horizontal and vertical mounting. Pillars are recessed to accept flat plate accessories
- Mounting boxes enable cabling to pass behind when in situ. Generous side and back break outs to aid cable entry /exit
- Mounting box enable centre lid to penetrate beneath the accessory. To mask the cut end.
- Corners and joiner supplied in three parts, to provide access to individual compartments
- Corners and joiner enable a 5mm overlap of lid to accommodate onsite cutting tolerances
- End cap , Flat Angle, Flat Tees are common for Dado Left/Right, up/down, but for Skirting select appropriate LH/RH or up/down fittings
- Manufactured from PVCu to BS EN 50085

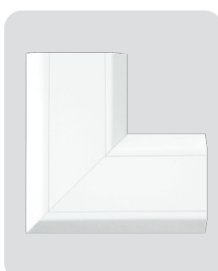
Product Images



CM3CP (excludes socket)



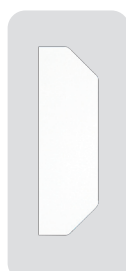
Assembled Skirting Trunking



CM3CA



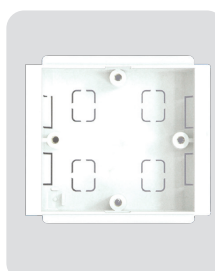
CM3CT



CM3CE



CM3CJ



CM3CB1



CM3CEC



CM3CC

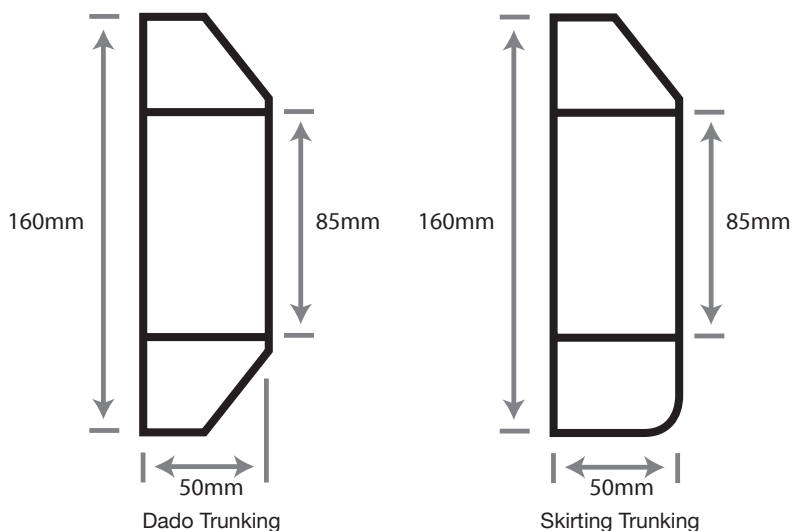
Skirting fittings are similar to above, except lower lid is square profile and not chamfered.

Three Compartment Trunking

Technical Specifications

- Manufactured from virgin grade of unplasticised Poly Vinyl Chloride PVCu to meet BS EN 50085 requirements where applicable
- Products are manufactured from High Impact grade PVC capable of withstanding hazardous on site conditions and exceeds the most stringent requirements of the relevant product standards
- The material is formulated to meet the -5°C requirement of BS EN 50086 and BS 4678 Part 4 where applicable
- Viscat Softening Point (Trunking) 80°C Ref BS EN ISO 306 (BS 2782 -1- 120B)
- Viscat Softening Point (Moulded Fittings) 76°C Ref BS EN ISO 306 (BS2782 – 1 – 120B)
- Chemical Resistance :-The products are unaffected by solutions of inorganic acids, alkalis and salts and is resistant to many organic chemicals. PVC may be softened by aromatic compounds and some organic materials such as ketones.
- Fire Resistance:-The material is non-flame propagating and is self extinguishing complying with BS EN 50085 and BS EN 50086
- Expansion and Contraction:-The thermal properties of PVC can accommodate ambient variations in temperature which equates to 5.25mm for a 3 Metre length
- Coefficient of linear expansion $7 \times 10^{-5}/m/^{\circ}C$
- Operating Temperature -5°C to 60°C
- Thermal Conductivity 0.19 w/m/°C
- Oxygen Index 42%
- Tensile Strength 492/562 kg/cm² 7000/8000 lb/inch²
- Note: White PVCu is formulated from Titanium Oxide that is a natural UV inhibitor, generally not fitted to external applications when exposure can cause cyclic discolouring before stabilising
- Fixing:- Base incorporates elongated 5mm fixing holes at 200mm intervals to aid installation
- CM3CP Pack contains 2 x 3M lengths of Base profile, 2 x 3M Centre Lids, 4 x 3M of chamfered Lid.
- For applications where ambient temperature is variable a washer under the screw head and loosely tightened will allow for any expansion or contraction
- The application of solvent free paint is acceptable as PVC provides a base material
- End caps can be secured in place with solvent cement if required
- 1G and 2G boxes are common for Dado and Skirting trunking

Line Diagram



Three Compartment Trunking

Packaging Information

Cat No.	Description	Packaging Type			Pack Quantity			Barcode	
		Product	Inner Box	Outer Box	Each	Inner Box	Outer Box	Inner Box	Outer Box
Dado trunking									
CM3CP	Pack, Includes Base And 3 Lids, 3m	na	Plain sleeve+label	na	3M	6M	na	5050765038423	na
CM3CEC	External Corner	na	White box+label	Brown Box+label	1	5	130	5050765038461	5050765038997
CM3CC	Internal Corner	na	White box+label	Brown Box+label	1	5	250	5050765038478	5050765039000
CM3CA	Flat Angle	White bag+label	White bag+label	na	1	1	na	5050765038485	na
CM3CT	Flat Tee	White bag+label	White bag+label	na	1	1	na	5050765038492	na
CM3CE	End Cap	na	White box+label	Brown Box+label	1	10	500	5050765038508	5050765039017
CM3CJ	Joiner	na	White box+label	Brown Box+label	1	5	250	5050765038515	5050765039024
CM3CB1	1g Box	na	White box+label	Brown Box+label	1	20	320	5050765038522	5050765039031
CM3CB2	2g Box	na	White box+label	Brown Box+label	1	10	160	5050765038539	5050765039048

* Trunking lengths are supplied in clear sleeving and end caps to protect during transit.

* Lids are supplied with a removable blue protective film on the external surfaces to protect finish prior to site installation.

Weights & Dimensions

Cat No.	Description	Dimension (W x L x H) mm			Weight (kg)			CMB (m ³)
		Product	Inner Box	Outer Box	Each	Inner Box	Outer Box	Outer Box
Dado trunking								
CM3CP	Pack, Includes Base And 3 Lids, 3m	3000 x 160 x 50	3000 x 180 x 60	na	1.910	11.500	na	na
CM3CEC	External Corner	160 x 70 x 70	240 x 160 x 90	680 x 430 x 350	0.057	0.284	7.384	0.102
CM3CC	Internal Corner	160 x 70 x 70	200 x 95 x 90	680 x 430 x 350	0.033	0.163	na	0.102
CM3CA	Flat Angle	240 x 240 x 60	240 x 240 x 60	na	0.696	0.696	na	na
CM3CT	Flat Tee	320 x 240 x 60	320 x 240 x 60	na	0.878	0.878	na	na
CM3CE	End Cap	160 x 52 x 5	200 x 95 x 90	680 x 430 x 350	0.025	0.250	12.500	0.102
CM3CJ	Joiner	160 x 65 x 55	200 x 95 x 90	680 x 430 x 350	0.030	0.150	7.500	0.102
CM3CB1	1g Box	90 x 80 x 30	325 x 160 x 102	680 x 430 x 350	0.033	0.664	10.624	0.102
CM3CB2	2g Box	140 x 80 x 30	325 x 205 x 102	680 x 430 x 350	0.049	0.489	7.824	0.102

Packaging Information

Cat No.	Description	Packaging Type			Pack Quantity			Barcode	
		Product	Inner Box	Outer Box	Each	Inner Box	Outer Box	Inner Box	Outer Box
Skirting Trunking									
CM3CSEC	External Corner	na	White box+label	Brown Box+label	1	5	130	5050765045391	5050765045537
CM3CSC	Internal Corner	na	White box+label	Brown Box+label	1	5	na	5050765045407	5050765045544
CM3CSAU	Flat Angle, Up	White bag+label	White box+label	na	1	1	na	5050765045414	na
CM3CSAD	Flat Angle, Down	White bag+label	White bag+label	na	1	1	na	5050765045421	na
CM3CSTU	Flat Tee, Up	White bag+label	White bag+label	na	1	1	na	5050765045438	na
CM3CSTD	Flat Tee, Down	White bag+label	White box+label	na	1	1	na	5050765045445	na
CM3CSEL	End Cap, Left	na	White box+label	Brown Box+label	1	10	500	5050765045452	5050765045599
CM3CSER	End Cap, Right	na	White box+label	Brown Box+label	1	10	500	5050765045469	5050765045605
CM3CSJ	Joiner	na	White box+label	Brown Box+label	1	5	250	5050765045476	5050765045612
CM3CCL	Lid, Chamfered	na	Plain sleeve+label	na	3M	6M	na	5050765045513	na
CM3CSL	Lid, Square	na	Plain sleeve+label	na	3M	6M	na	5050765045483	na
CM3CL	Lid, Centre	na	Plain sleeve+label	na	3M	6M	na	5050765045506	na
CM3CB	Base	na	Plain sleeve+label	na	3M	6M	na	5050765045490	na
CM3CB1	1g Box	na	White box+label	Brown Box+label	1	20	320	5050765038522	5050765039031
CM3CB2	2g Box	na	White box+label	Brown Box+label	1	10	160	5050765038539	5050765039048

* Trunking lengths are supplied in clear sleeving and end caps to protect during transit.

* Lids are supplied with a removable blue protective film on the external surfaces to protect finish prior to site installation.

Three Compartment Trunking

Weights & Dimensions

Cat No.	Description	Dimension (W x L x H) mm			Weight (kg)			CMB (m ³)
		Product	Inner Box	Outer Box	Each	Inner Box	Outer Box	Outer Box
Skirting Trunking								
CM3CSEC	External Corner	160 x 70 x 70	240 x 160 x 90	680 x 430 x 350	0.057	0.284	7.384	0.102
CM3CSC	Internal Corner	160 x 70 x 70	200 x 95 x 90	na	0.033	0.163	na	na
CM3CSAU	Flat Angle, Up	240 x 240 x 60	240 x 240 x 60	na	0.696	0.696	na	na
CM3CSAD	Flat Angle, Down	240 x 240 x 60	240 x 240 x 60	na	0.696	0.696	na	na
CM3CSTU	Flat Tee, Up	320 x 240 x 60	320 x 240 x 60	na	0.878	0.878	na	na
CM3CSTD	Flat Tee, Down	320 x 240 x 60	320 x 240 x 60	na	0.878	0.878	na	na
CM3CSEL	End Cap, Left	160 x 52 x 5	200 x 95 x 90	680 x 430 x 350	0.025	0.250	12.500	0.102
CM3CSEER	End Cap, Right	160 x 52 x 5	200 x 95 x 90	680 x 430 x 350	0.025	0.250	12.500	0.102
CM3CSJ	Joiner	160 x 65 x 55	200 x 95 x 90	680 x 430 x 350	0.030	0.150	7.500	0.102
CM3CCL	Lid, Chamfered	3000 x 50 x 20	3000 x 50 x 25	na	0.600	1.200	na	na
CM3CSL	Lid, Square	3000 x 50 x 20	3000 x 50 x 25	na	0.600	1.200	na	na
CM3CL	Lid, Centre	3000 x 80 x 5	3000 x 80 x 10	na	0.735	1.470	na	na
CM3CB	Base	3000 x 160 x 50	3000 x 160 x 55	na	3.690	7.380	na	na
CM3CB1	1g Box	90 x 80 x 30	325 x 160 x 102	680 x 430 x 350	0.033	0.664	10.624	0.102
CM3CB2	2g Box	140 x 80 x 30	325 x 205 x 102	680 x 430 x 350	0.049	0.489	7.824	0.102

Installation Information

Safety Warning

Before use please read and carefully use in accordance with these safety wiring instructions.

To ensure a satisfactory operation these products should be installed by a competent person. If in doubt seek advice from a qualified engineer.

These products should not be installed into the same enclosure containing mains exceeding 50V. Avoid running the telecom cable within 50mm of mains electrical cable.

	Horizontal	Vertical
Maximum Distance between supports	1.75m	2.0m

Technical Helpline: 0845 194 7584

If in doubt consult a competent electrician.